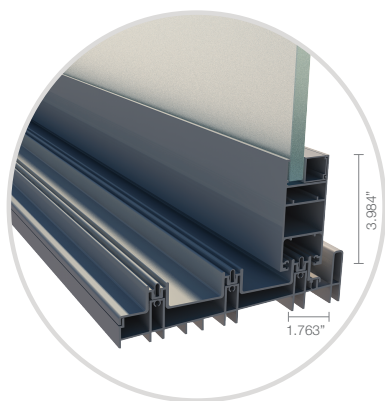


Pocket details section
(Standard configuration)

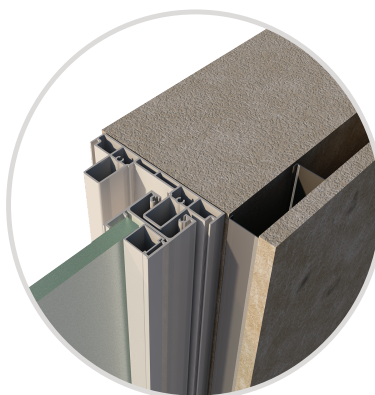
La Finestra Perfetta pockets are designed for open area access for the customer who wants outside access without sacrificing space. Our pocketing systems effortlessly glide into the wall pocket, disappearing from sight, which allows for a completely unobstructed view.

MAIN FEATURES

- **Innovative** slim profile
- **Slimmest** interlock profile: 1 ¼"
- **Slimmest** central meeting stile profile: 2 5/16"
- **Oversized** panels of 6' x 10' or 5' x 12'
- **Slimmest** corner union profile 4" x 4"
- **Easy** opening: 12 pounds continuous operating force and 20 pound on initial operating force on huge 60 sq. Ft. panels.
- Stainless steel interior guide and **precision** bearing wheels.



Sill details section - 3 track
no exposed anchors on water line
(no water leakage trough anchors)



Free standing jamb details section.
(no screws required)

AVAILABLE FINISHES

White, Espresso (bronze) and custom finishes available upon request.

STANDARD GLASS

9/16" HS sentryglas plus laminated
HS Insulated Laminated

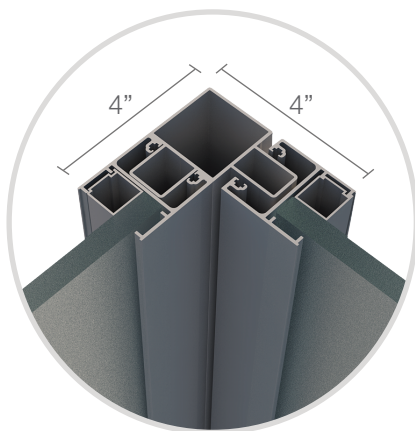
GLASS COLORS

Clear, Gray, Turtle Code Grey, Bronze. Other colors available on request

GLASS COATINGS

All glass are available with the most advanced Low-E coatings to meet current Energy Codes regulations.

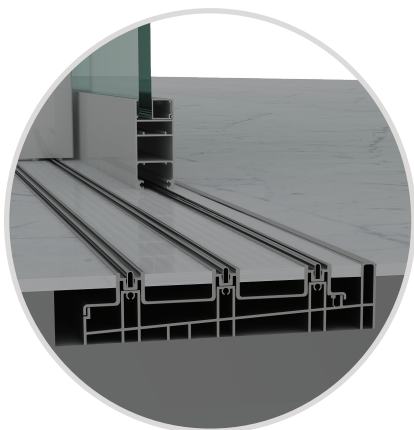




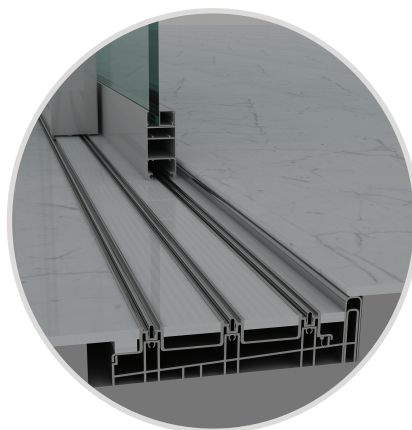
The Perfetta 90 degree sliding glass door by the Italian manufacturer La Finestra LC offers an unsurpassed fusion of indoor and outdoor living, allowing your view to enter into the residence with minimal obstruction. The colossal glass panels glide with ease, eliminating the barrier between your living space and the world beyond.

MAIN FEATURES

- **Innovative** slim profile
- **Slimmest** interlock profile: 1 1/4"
- **Slimmest** central meeting stile profile: 2 5/16"
- **Oversized** panels of 6' x 10' or 5' x 12'
- **Slimmest** corner union profile 4" x 4"
- **Easy** opening: 12 pounds continuous operating force and 20 pound on initial operating force on huge 60 sq. Ft. panels.
- Stainless steel interior guide and **precision** bearing wheels.



Flush sill details section - 3 track



Flush sill details section - 3 track

AVAILABLE FINISHES

White, Espresso (bronze) and custom finishes available upon request

STANDARD GLASS

9/16" HS sentryglas plus laminated
HS Insulated Laminated

GLASS COLORS

Clear, Gray, Turtle Code Grey, Bronze. Other colors available on request

GLASS COATINGS

All glass are available with the most advanced Low-E coatings to meet current energy codes regulations